

TECHNICAL SPECIFICATIONS - TBA500

GENERAL SPECIFICATIONS:

CABINET and WATER RESERVOIR

The cabinet and water reservoir components are injection moulded structural foam polypropylene (Permatuf™). The cabinet and reservoir are UV stabilised and corrosion free. The major components clip together without additional fasteners. The pump is secured with two stainless steel screws.

FAN

The fan is a multi blade assembly constructed of glass reinforced polypropylene. The blades are aerofoil shaped. The fan is mounted to the motor shaft by means of a screw-on collet.

FAN MOTORS

Single phase, permanent split capacitor (P.S.C.) motors, with die-cast fully enclosed aluminium frame. IP54 rating enclosures designed to AS60034. The motor and fan assembly are supported on the injection moulded ABS venturi ring by the stator blades. The fan motor is fitted with a polarised plug for quick removal and replacement in order to reduce the weight of the assembly for installation.

MAIN CONNECTION DUCT

The main connection duct must incorporate a raw edge or safe edge.

ELECTRICAL CONTROL

The electrical control box is pre-wired within the cooler and incorporates an isolating switch. A 3m / 10' long power supply cord is supplied as standard on all models. Provision is included for plug-in connection of drain valve and solenoid kits (optional parts).

THERMOSTAT CONTROL

The TBA model cooler is supplied with a custom thermostat, for fully automatic control. Connection of thermostat to control box is via the 20m / 66' low voltage wiring loom supplied.

WATER CONNECTION

Water supply connection is via a flexible connector which is terminated with a 1/2" BSP compression nipple. An isolating valve must be fitted adjacent to the cooler for service. A drain-down facility is required in areas subject to freezing. The patented water distribution system is an integral part of the lid, and can be readily viewed from the top by removing the pad frame assembly.

COOLING PADS

Cooling filter pads are Chillcel™ fabricated, honeycomb, high efficiency type.

AIR FLOW PERFORMANCE SUMMARY

Model	Airflow L/s (m ³ /h) @ 80Pa	Motor W	Air Flow - L/s (m ³ /h) versus Static Pressure (Pa)					
			0	20	40	60	80	100
TBA500	2840 (10210) (tbc)	750					2840 (tbc) (10210)	

It is a policy of Seeley International to introduce continual product improvement. Accordingly specifications are subject to change without notice.

TECHNICAL SPECIFICATIONS - TBA500

Specification	TBA500	
Airflow @ 80Pa	(L/s)	2840 (tbc)
	(m ³ h)	10210 (tbc)
Cooling Capacity*	(kW)	12.1 (tbc)
Power Consumption (total)	Power Max/Min (W)	1200
	Current - Rated (A)	5.7
Power Supply	Voltage / Phases / Hz	220-240/1/50
Controller	Type	Digital
Fan	Type	Axial
	Diameter - External (mm)	541
	Capacity	High
Motor	Type	PSC
	Speed Max (rpm)	1350 VAR
	Output Max (W)	750
	Capacitor (uF/V)	25/440
	Overload	Auto Reset & 'one shot' fuse
	Enclosure Rating	IP54
Pump	Type	Centrifugal
	Motor	Synchronous
	Power - rated (W)	25
	Flow Rate (L/min)	21
	Voltage / Phases / Hz	230 / 1 / 50
	Overload	Auto Reset
Cooling Pad Chillcel	Size (mm)	850x526Hx90 (4 pads)
	Pad Area (m ²)	1.79
Water	Tank Capacity (L)	23
	Inlet (mm/inches)	12.7mm 1/2" male BSP
	Drain (mm/inches) Configurable to local requirements	40mm 1 1/2" male BSP
Shipping	Dimensions (mm) including pallet	1150x1150x902H
	Volume (m ³)	1.20
	Mass - Shipping (kg)	66
	Operating (kg)	89
Connecting Duct (raw edged)	Length & Width (mm)	550x550

* Cooling capacity measured to Australian Standard AS2913-2000, ambient of 38°C dry bulb & 21°C wet bulb, with room exit temperature of 27.4°C.

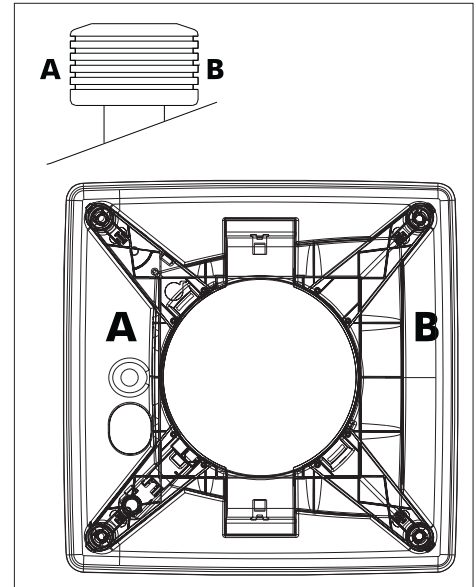
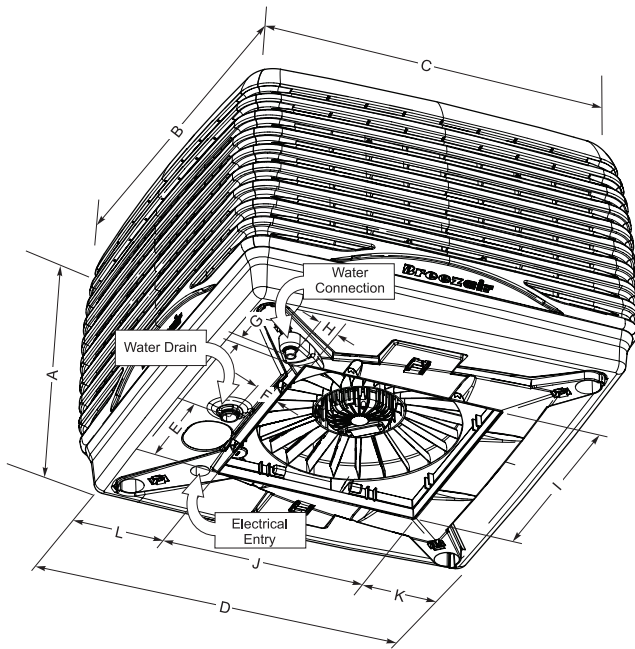


Air flow performance has been measured in accordance with Australian Standard AS2913:2000 "Evaporative Air Conditioning Equipment" by Meridian Laboratories Pty Ltd

*Meridian Laboratories is registered by the National Association of Testing Authorities, Australia. The tests reported herein have been performed in accordance with its terms of registration. Registration No.: 3697



TECHNICAL SPECIFICATIONS - TBA500



Model	A	B	C	D	E	F	G	H	I	J	K	L
TBA500	835 (32.9)	1150 (45.3)	1150 (45.3)	1080 (42.5)	275 (10.8)	95 (3.7)	82 (3.2)	82 (3.2)	555 (21.85)	555 (21.85)	249 (9.8)	279 (11.0)

Dimensions are in mm (inches in brackets).